

Alsident System® 50

Antistatic



Product Information



ISO 9001 certificeret



A cleaner working environment





Product Description



System 50 - Antistatic

The System 50 Antistatic Extraction Arm from ALSIDENT SYSTEM[®] features a wide range of jointed extraction arms made of chromated aluminium tubes with a diameter of 50 mm, joints of polypropylene and internal components of stainless steel. The joints make the arm easy to adjust and place in the working situation.

System 50 extraction arms are available in three models for mounting on table, wall or on ceiling. A wide range of hood designs allows this arm to cover various needs.

An extraction arm from ALSIDENT SYSTEM[®] consists of three parts: An extraction arm, a hood and a bracket. Each part must be ordered separately.

The antistatic version of the System 50 is suited for use in non-aggressive areas and where static electricity must be avoided e.g. electronics industries. Available in various lengths with a maximum horizontal range of 1.380 mm.

Special length arms are available on request.



Technical Specifications

Recommended Airflow:	Normal:	65 m ³ /h
	Minimum:	45 m ³ /h
	Maximum:	85 m ³ /h

Air Temperature: -15°C - +90°C

Material:	Pipes:	Chromated Aluminium
	Joints:	Carbonated Polypropylene (PP)
	O-ring:	Polyethylene (PE)
	Mounting flanges:	Carbonated Polypropylene (PP)
	Damper:	Polyethylene (PE)
	Thumbscrew:	Yellow Polypropylene (PP)
	Threaded stay:	Stainless steel (Acid-proof)
	Spring:	Stainless steel

The antistatic version of System 50 is produced in accordance with IEC 61340-5-1.

Key to the Signatures

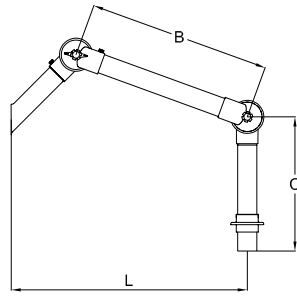
SYSTEM NO.	VERSION	CHAPTER	PAGE NO.
50	AS Antistatic	GI General Information	01
		TM Table Mounted	
		WM Wall Mounted	
		CM Ceiling Mounted	



Product Overview

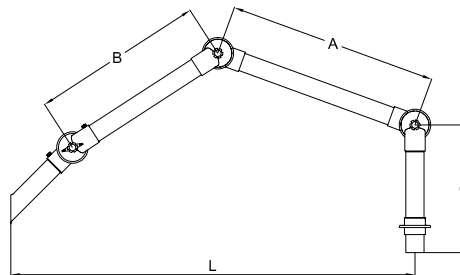
Table Mounted

Table mounted, 2-Joint



Diam. [mm]	L [mm]	B [mm]	C [mm]	Indicative Weight [kg]	Part No.
50	445	275	350	0.8	50-27-1-6
50	545	375	350	0.8	50-37-1-6
50	645	475	350	0.8	50-47-1-6

Table mounted, 3-Joint



Diam. [mm]	L [mm]	A [mm]	B [mm]	C [mm]	Indicative Weight [kg]	Part No.
50	765	375	275	350	1.1	50-3727-1-6
50	945	475	375	350	1.3	50-4737-1-6
50	1125	575	475	350	1.4	50-5747-1-6

SYSTEM 25

SYSTEM 50 AS

SYSTEM 63

SYSTEM 75

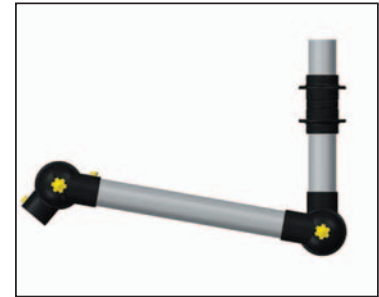
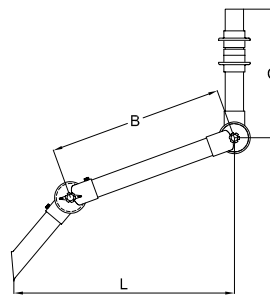
SYSTEM 100



Product Overview

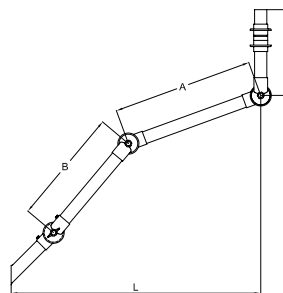
Wall Mounted

Wall mounted, 2-Joint



Diam. [mm]	L [mm]	B [mm]	C [mm]	Indicative Weight [kg]	Part No.
50	530	375	350	0.8	50-37-2-6
50	630	475	350	0.9	50-47-2-6

Wall mounted, 3-Joint



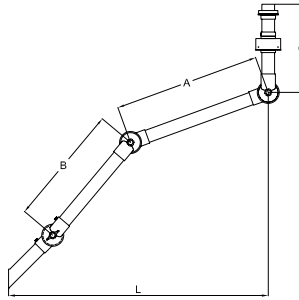
Diam. [mm]	L [mm]	A [mm]	B [mm]	C [mm]	Indicative Weight [kg]	Part No.
50	750	375	275	350	1.1	50-3727-2-6
50	910	475	375	350	1.3	50-4737-2-6
50	1080	575	475	350	1.4	50-5747-2-6
50	1380	875	475	350	1.6	50-8747-2-6



Product Overview

Ceiling Mounted

Ceiling Mounted, 3-Joint



Diam. [mm]	L [mm]	A [mm]	B [mm]	C [mm]	Indicative Weight [kg]	Part No.
50	750	375	275	350	1.2	50-3727-3-6
50	910	475	375	350	1.3	50-4737-3-6
50	1080	575	475	350	1.5	50-5747-3-6
50	1380	875	475	350	1.7	50-8747-3-6

SYSTEM 25

SYSTEM 50 AS

SYSTEM 63

SYSTEM 75

SYSTEM 100



Accessories Overview

Hoods - Extractor Tubes

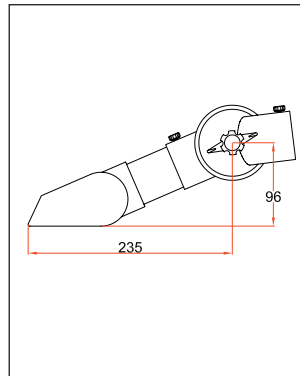
Suction Nozzle

Part No.: 1-5020-6

Made of chromated aluminium and carbonated polypropylene (PP). Recommended for concentrated sources of pollution. Often used in the electronics industry.

Material

Metal Hood: Aluminium (Chromated)
 Flange: Polypropylene (PP)
 Connection tube: Aluminium (Chromated)



Extractor Tube - Alu

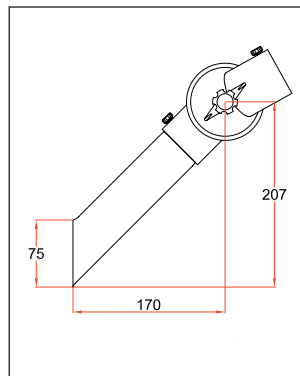
Part Nos.: 1-5021-6 and 1-5031-6

Recommended for small concentrated sources of pollution. Efficient as it gets close to the source without obstructing the work process.

Material

Tube: Aluminium (Chromated)

Length	Part No.
210 mm	1-5021-6
310 mm	1-5031-6



Metal Hood (diam. 200 mm)

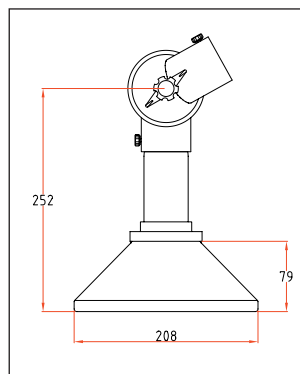
Part No.: 1-5024-6

Metal hood made of chromated aluminium. Recommended when extracting hot gases, fumes, light dust concentrations etc.

Material

Metal hood: Aluminium (chromated)
 Flange: Polypropylene (PP)
 Connection tube*: Aluminium (chromated)

*) Separately enclosed at delivery.





Dome Hood (diam. 385 mm)

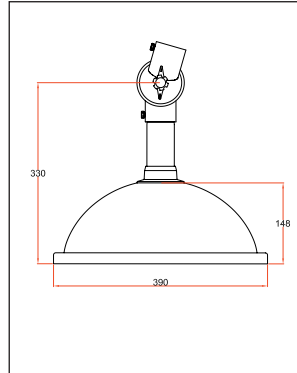
Part No.: 1-5035-6

Recommended for light fumes, gases and small open vessels.

Material

Hood: Carbonated polypropylene (PP)
 Flange: Polypropylene (PP)
 Connection tube*: Aluminium (Chromated)

*) Separately enclosed at delivery.



Flat Screen

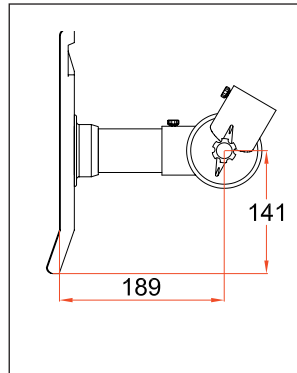
Part No.: 1-503324-6

Recommended when extracting heavy gases and fumes. High efficiency when placed vertically on a surface e.g. a table. Gets close to the source without obstructing the work process.

Material

Hood: Carbonated Polypropylene (PP)
 Flange: Carbonated Polypropylene (PP)
 Connection tube*: Aluminium (Chromated)

*) Separately enclosed at delivery.





Accessories Overview

Brackets and Columns

Wall Bracket

Part Nos.: 2-5020-050

Used for System 50 wall mounted extraction arms.

The wall bracket is made of black powder coated steel. Other colours available on request.

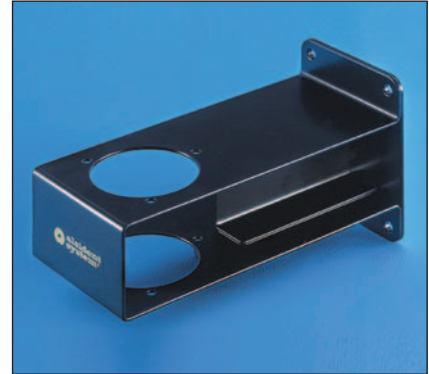
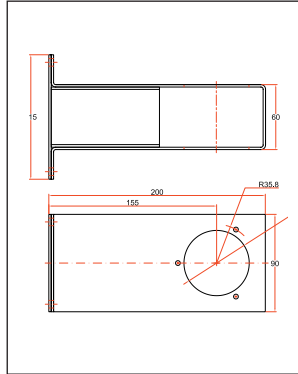
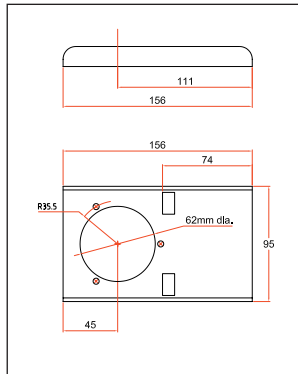


Table Bracket

Part Nos.: 2-5010-050

Used to mount System 50 Table Mounted Extraction Arms on table side which makes it removable for mobile installations. Made of black powder coated steel.

Other colours available on request.



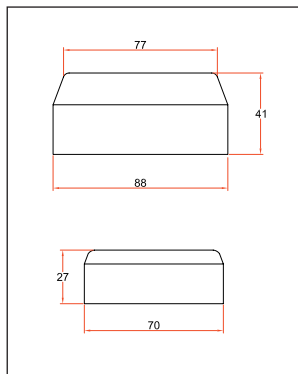
Reducers

Part Nos.: 4-8050 /-050

Used to connect System 50 Extraction Arms to ducting. Made of white or black Polypropylene (PP).

Available in two sizes.

Reducing from/to	White	Black
80/50 mm	4-8050	4-8050-050
63/50 mm	4-6350	4-8050-050





Accessories Overview

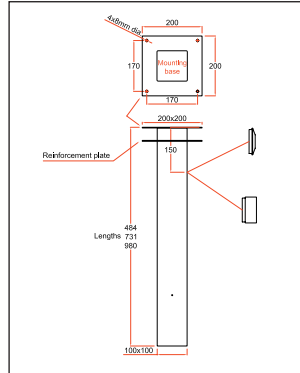
Brackets and Columns

Ceiling Columns

Used for mounting the System 50 Ceiling Mounted Extraction Arms. The ceiling column is made of white or black powder coated steel. Available in two models with side connection or top connection to duct. Standard lengths see below.

Available in other lengths and colours on request.

Side Connection Diameter: 80 mm.



Top connection, Part. No.:

Length [mm]	Ind. Weight [kg]	White	Black
250	2.0	2-250-20	2-250-050-20
500	3.0	2-500-20	2-500-050-20
750	3.8	2-750-20	2-750-050-20
1000	4.5	2-1000-20	2-1000-050-20

Side connection, Part. No.:

Length [mm]	Ind. Weight [kg]	White	Black
250*	2.0	2-250-80	2-250-050-80
500	3.0	2-500-80	2-500-050-80
750	3.8	2-750-80	2-750-050-80
1000	4.5	2-1000-80	2-1000-050-80

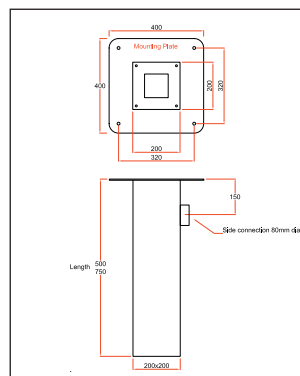
*) for socket pipe with hole

Extensions for Ceiling Column

Mounted on ceiling. Used to extend Ceiling Column in rooms with high ceilings. The Extension is made of white powder coated steel. Available in two standard lengths with side or top connection for duct.

Other lengths and colours available on request.

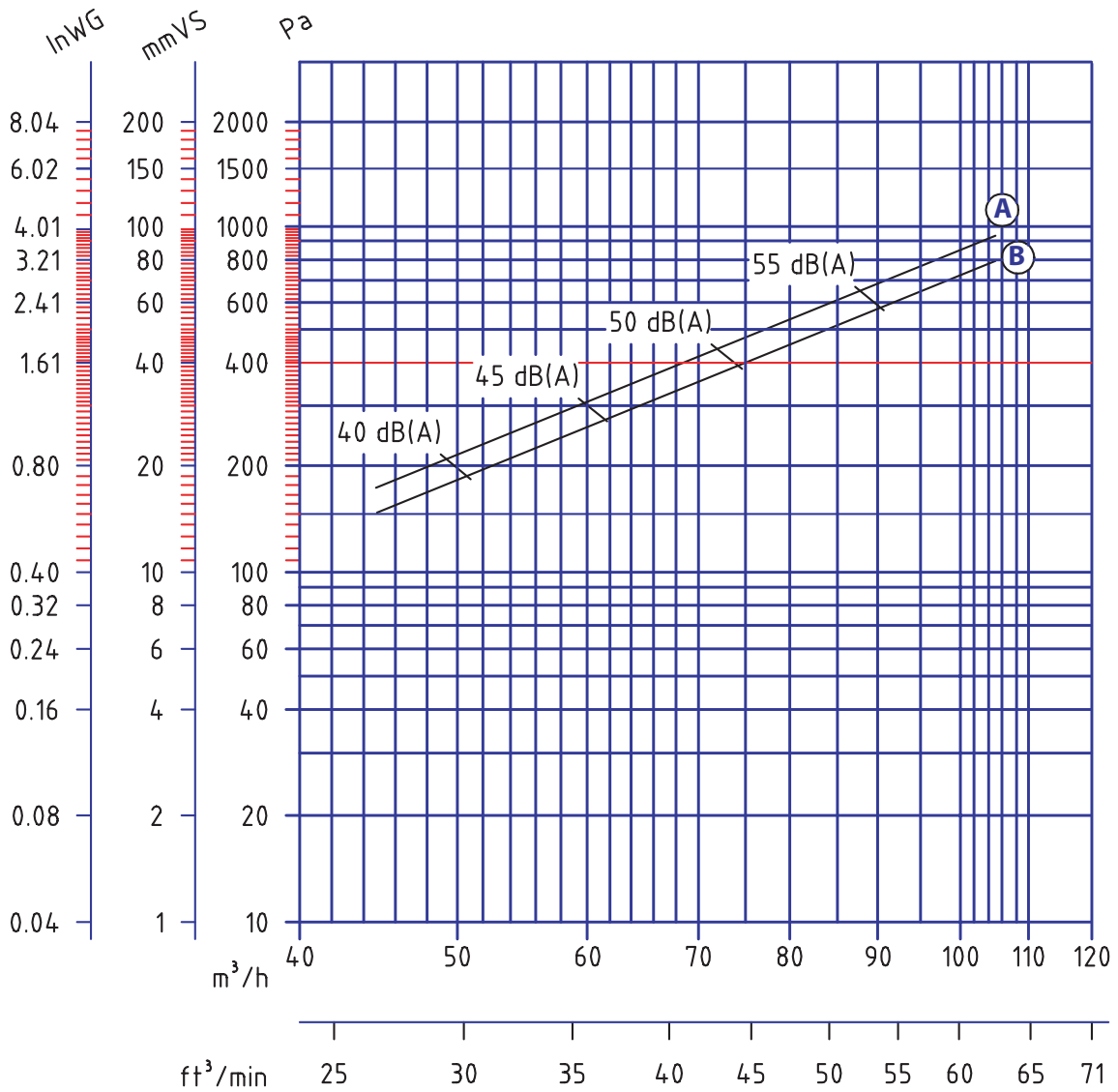
Side Connection Diameter: 80 mm.



Length [mm]	Ind. Weight [kg]	Top connect.	Side connect.
500	9.5	2-500-21-20	2-500-21-80
750	14.0	2-750-21-20	2-750-21-80
1000	18.0	2-1000-21-20	2-1000-21-80



Pressure Drop Chart



- Ⓐ System 50, Table mounted
- Ⓑ System 50, Wall and Ceiling mounted



Spare Parts List

Joint with Damper

SYSTEM 25

SYSTEM 50 AS

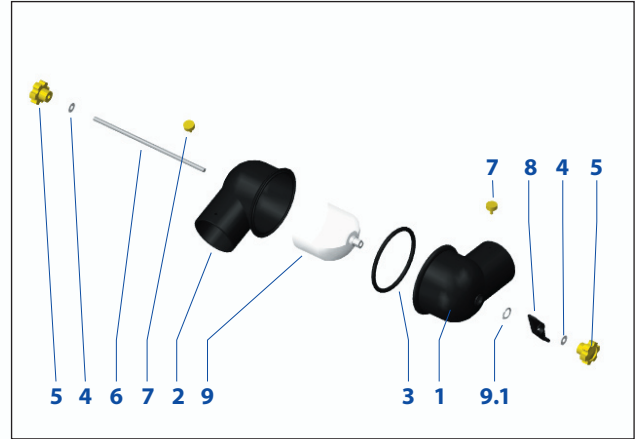
SYSTEM 63

SYSTEM 75

SYSTEM 100

Joint with Damper

4-50-6



Pos. Product No.

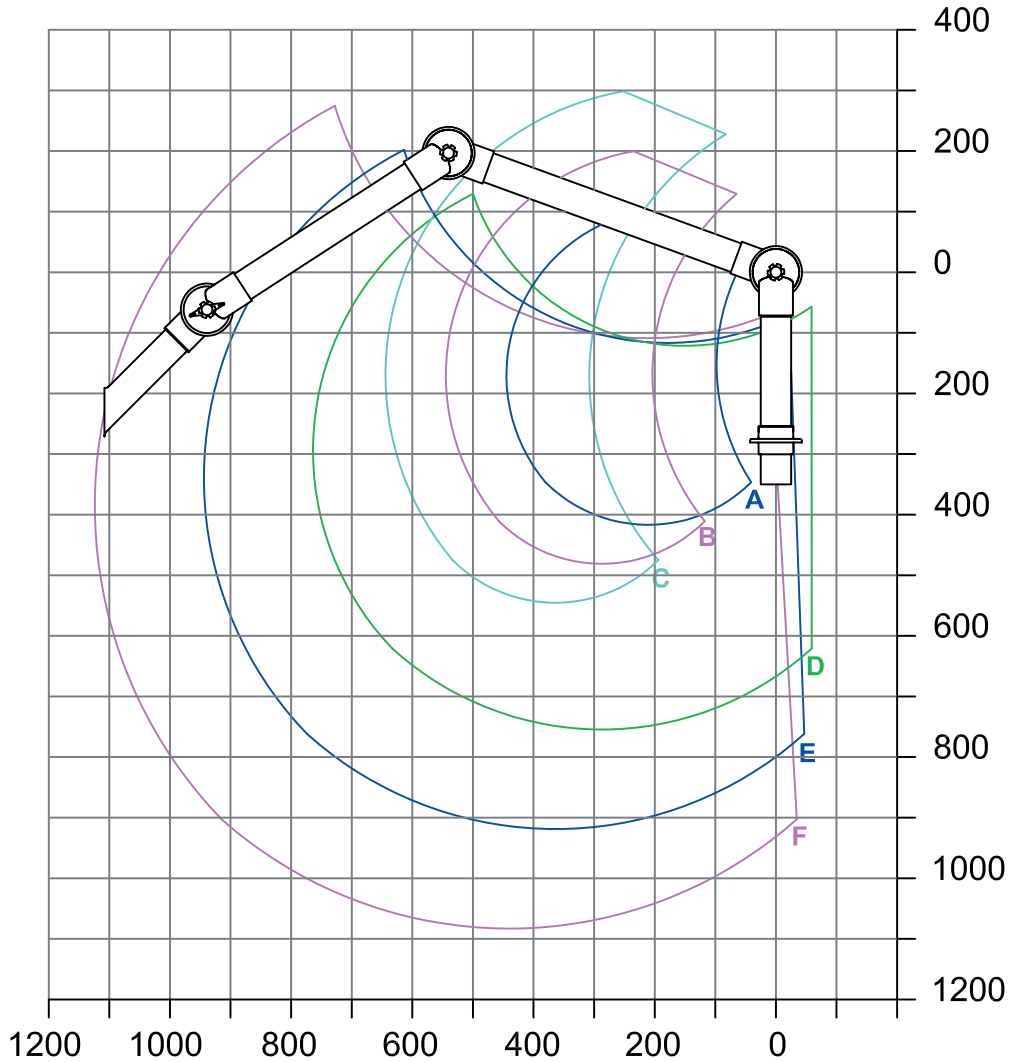
A 4-50-6

Pos.	Part No.	Description	A [pieces applied]
1	4-5012-6	Joint, 12 mm	1
2	4-505-0-6	Joint, 5 mm	1
3	5-72-5-6	O-ring	1
4	5-75	Teflon Washer	2
5	5-75-5-6	Thumbscrew	2
6	5-50-5-161	Threaded Stay	1
7	5-75-4-6	Thumbscrew, 4 mm	2
8	5-5075-5-6	Wing for damper	1
9	800-4-50	Damper	1
9.1	5-12-411	Seegerring	1



Working Area

Table mounted with Extraction Tube



- A: Model 50-27-1-6
- B: Model 50-37-1-6
- C: Model 50-47-1-6
- D: Model 50-3727-1-6
- E: Model 50-4737-1-6
- F: Model 50-5747-1-6

Accessory: Extractor Tube no. 1-5021-6

Note:

Working area of the arm is defined from the center of the opening of the accessory.

When choosing the arm we recommend that the stationary working position of the accessory is not placed in the highest or lowest part of the working area.

(All measurements in mm)



Table Mounted Option

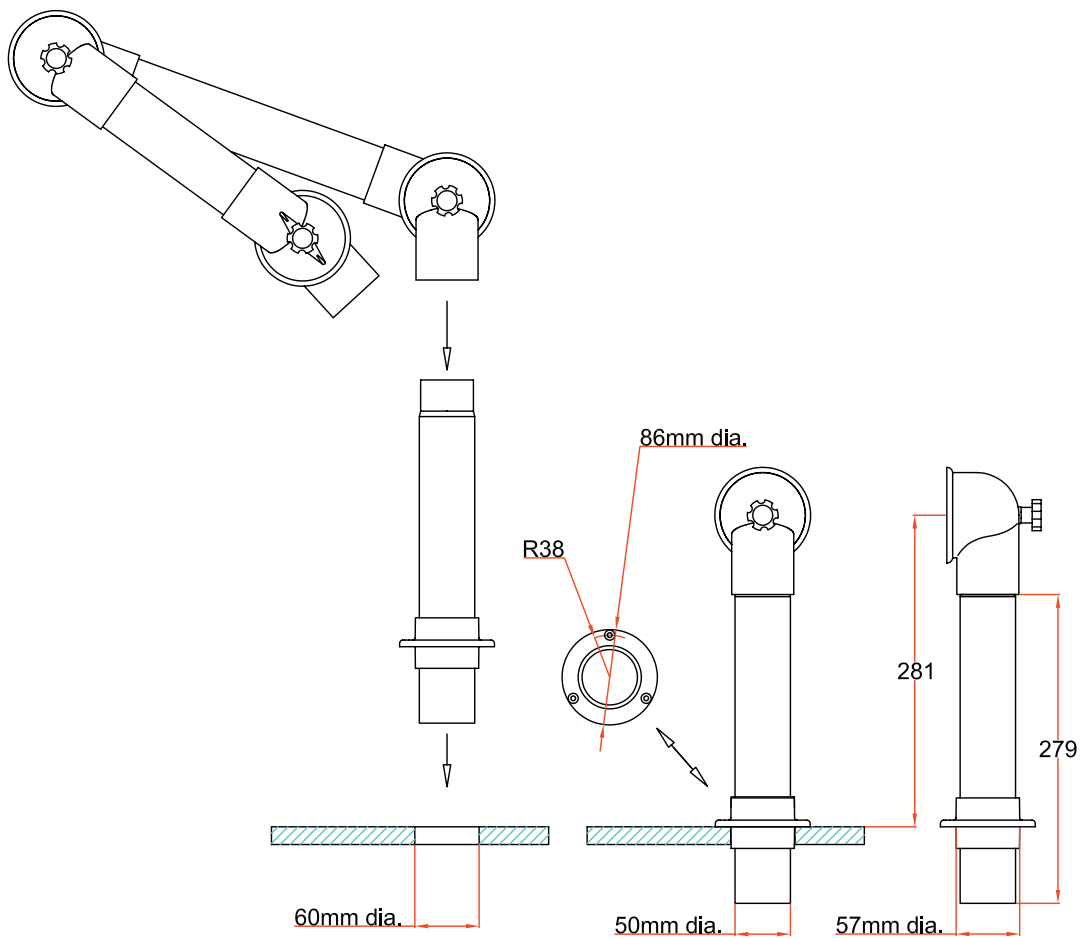
Directly on table.

Socket pipe of a System 50 Extraction Arm mounted directly on a table with flange screwed to table plate.

Accessories:

No brackets used.

Dimensions



(All measurements in mm)



Table Mounted Option with Table Bracket

With table bracket.

Socket pipe of a System 50 Extraction Arm mounted on table side with a table bracket. Very functional option when impossible to mount directly on table or when a mobile installation is required.

Accessories:

Table Bracket, Part No. : 2-5010-050

Dimensions

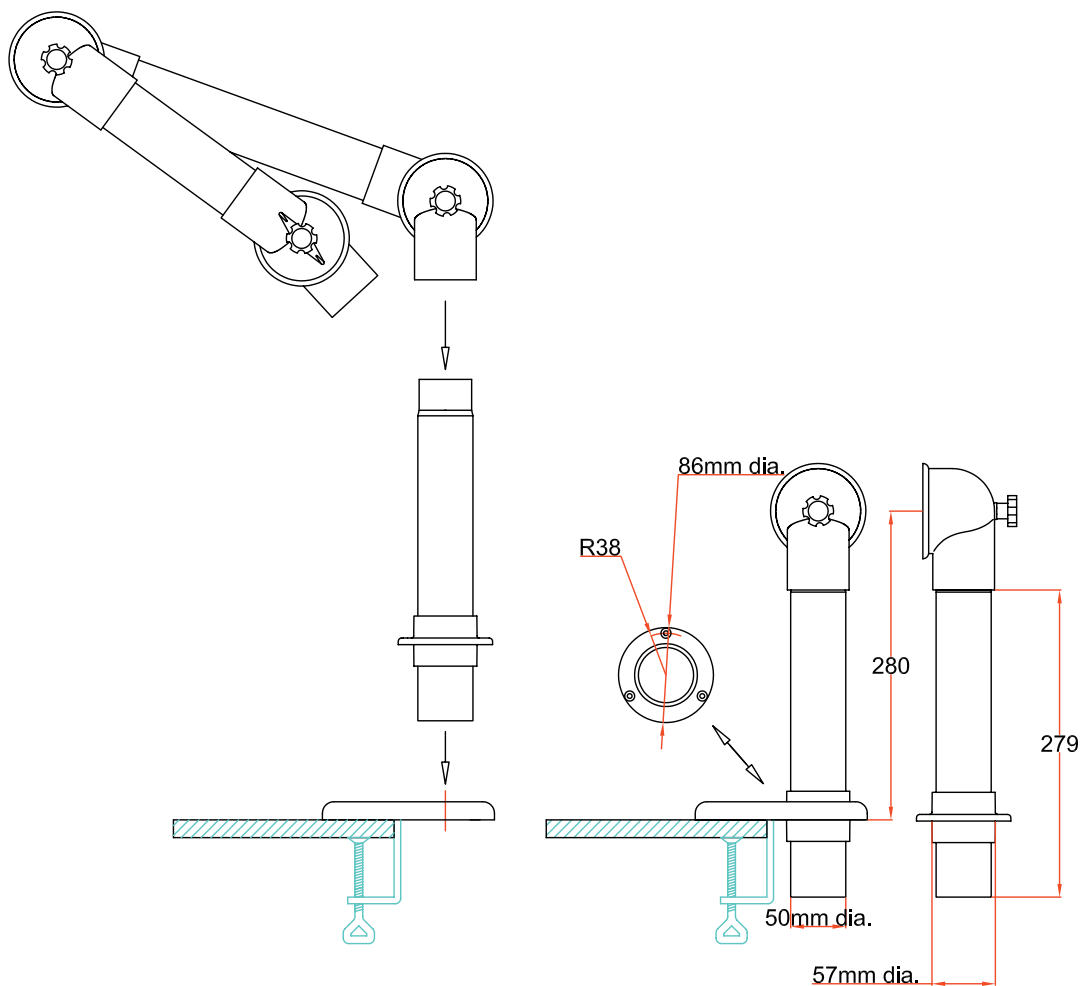




Table Bracket

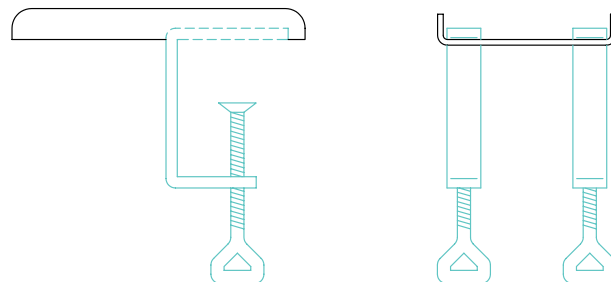
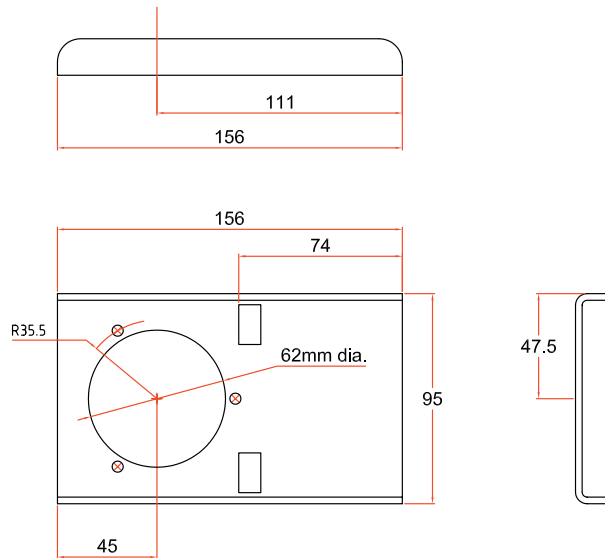
Technical Description

Part No.: 2-5010-050

Used to mount System 50 Table Mounted Arms on table side. Removable for mobile installations. Made of black powder coated steel. Other colours available on request.



Dimensions



(All measurements in mm)

SYSTEM 25
SYSTEM 50 AS
SYSTEM 63
SYSTEM 75
SYSTEM 100

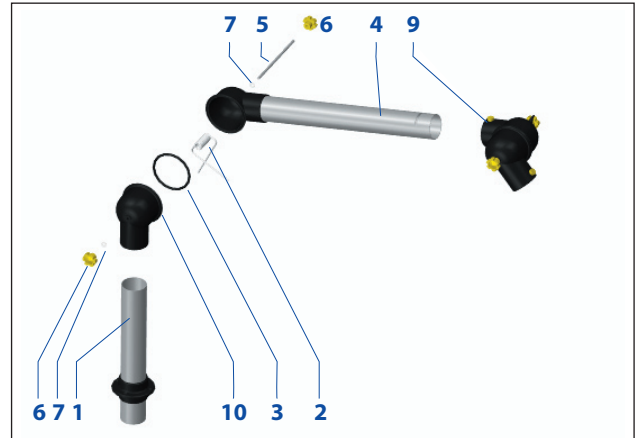
Spare Parts



(A) 50-27-1-6

(B) 50-37-1-6

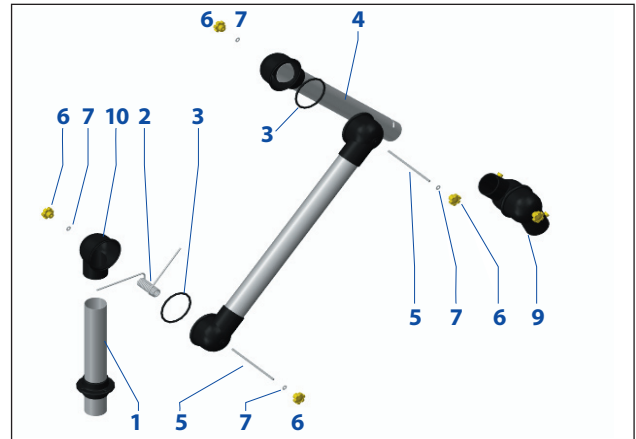
(C) 50-47-1-6



(D) 50-3727-1-6

(E) 50-4737-1-6

(F) 50-5747-1-6



For spare parts list - see next page.



SYSTEM 25

SYSTEM 50 AS

SYSTEM 63

SYSTEM 75

SYSTEM 100

Pos.	Product No.	Joints
A	50-27-1-6	2-joint
B	50-37-1-6	2-joint
C	50-47-1-6	2-joint
D	50-3727-1-6	3-joint
E	50-4737-1-6	3-joint
F	50-5747-1-6	3-joint

Pos.	Part No.	Description	A	B	C	D	E	F
			[pieces applied]					
1	3-5031-1-6	C-pipe BM 315	1	1	1	1	1	1
2	5-50-2-3-02	Spring BM 3 mm (2-jnts)		1	1			
2	5-50-3-3-02	Spring BM 3 mm				1		
2	5-50-3-4-02	Spring BM 4 mm					1	1
3	5-72-5-6	O-ring	1	1	1	2	2	2
4	3-5027-9-6	B-pipe 275	1			1		
4	3-5037-9-6	B-pipe 375		1			1	
4	3-5047-9-6	B-pipe 475			1			1
5	5-50-5-154	Threaded Stay	1	1	1	2	2	2
6	5-75-5-6	Thumbscrew	2	2	2	4	4	4
7	5-75	Washer	2	2	2	4	4	4
8	3-5037-8-6	A-pipe 375				1		
8	3-5047-8-6	A-pipe 475					1	
8	3-5057-8-6	A-pipe 575						1
9	4-50-6	Joint with damper*	1	1	1	1	1	1
10	4-505-6	Joint B	1	1	1	1	1	1

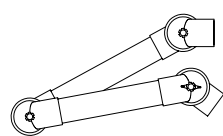
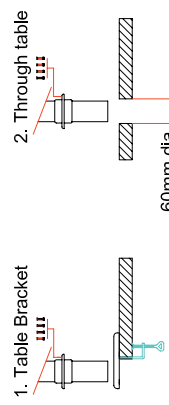
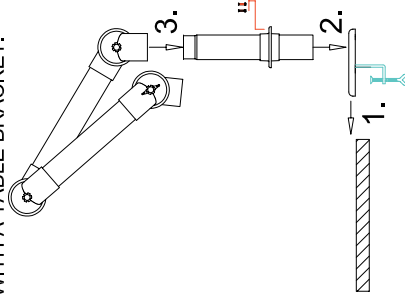
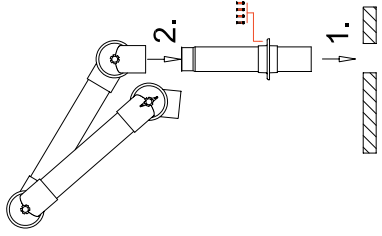
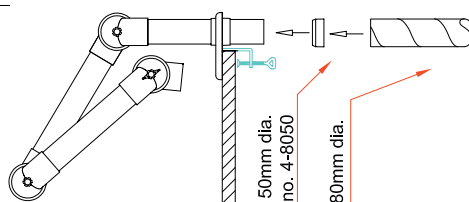
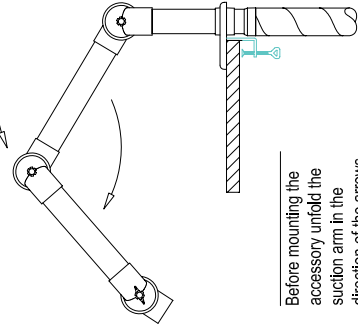
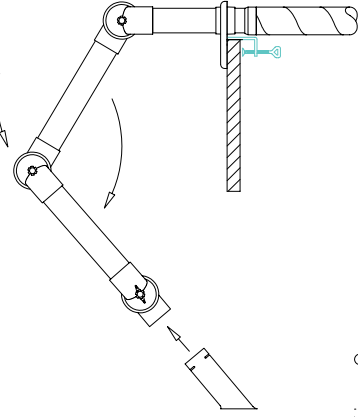
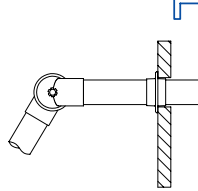
*) Spare Parts List for Joint with Damper - see General Information.

When ordering spare parts please quote:

Product No. eg.: 50-37-1-6
 Description - B-pipe 375
 Spare Part No - 3-5037-9-6
 Quantity - 1 pc.

If you wish to customize the arm with a spare part which is not a constituent part of the particular model, please contact your Alsident dealer.



<p>BY DELIVERY:</p>  <p>On account of the packaging the suction arm is delivered in two parts.</p> <p>Fig. 1</p>	<p>MOUNTING OPTIONS:</p>  <p>1. Table Bracket</p> <p>2. Through table</p> <p>60mm dia.</p> <p>Fig. 2</p>	<p>MOUNTING WITH A TABLE BRACKET:</p>  <p>1. Mount the table bracket on the edge of the table and tighten the clamps. Place the socket pipe in the hole of the bracket and fasten the flange to the bracket with the included screws. Place the joint of the suction arm on the socket pipe. Be aware that the spring goes into the pipe. Go to Fig. 6</p> <p>Fig. 3</p>	<p>MOUNTING DIRECTLY THROUGH THE TABLE:</p>  <p>1. Make a hole with a diameter of 60mm where the suction arm is to be placed. Place the socket pipe in the hole and fasten the flanges to the table with the included screws. Place the joint of the suction arm on the socket pipe. Be aware that the spring goes into the pipe. Go to Fig. 6</p> <p>Fig. 4</p>
<p>CONNECTION TO VENTILATION DUCT:</p>  <p>Reducer 80mm dia. - 50mm dia. no. 4-8050</p> <p>Spiro duct 80mm dia.</p> <p>Fig. 6</p>	<p>UNFOLDING THE SUCTION ARM:</p>  <p>Before mounting the accessory unfold the suction arm in the direction of the arrows to the desired position.</p> <p>Fig. 7</p>	<p>MOUNTING THE ACCESSORY:</p>  <p>Place the connection tube of the accessory in the tube of the joint. Turn the slit in the connection tube towards the small thumbscrew. When screwed in the thumbscrew will hold the accessory in place in the joint. Finally make sure the damper is open. The suction arm is now ready for use.</p> <p>Fig. 8</p>	<p>MOUNTING THE ACCESSORY:</p> 



Working Area

Wall mounted with Extraction Tube

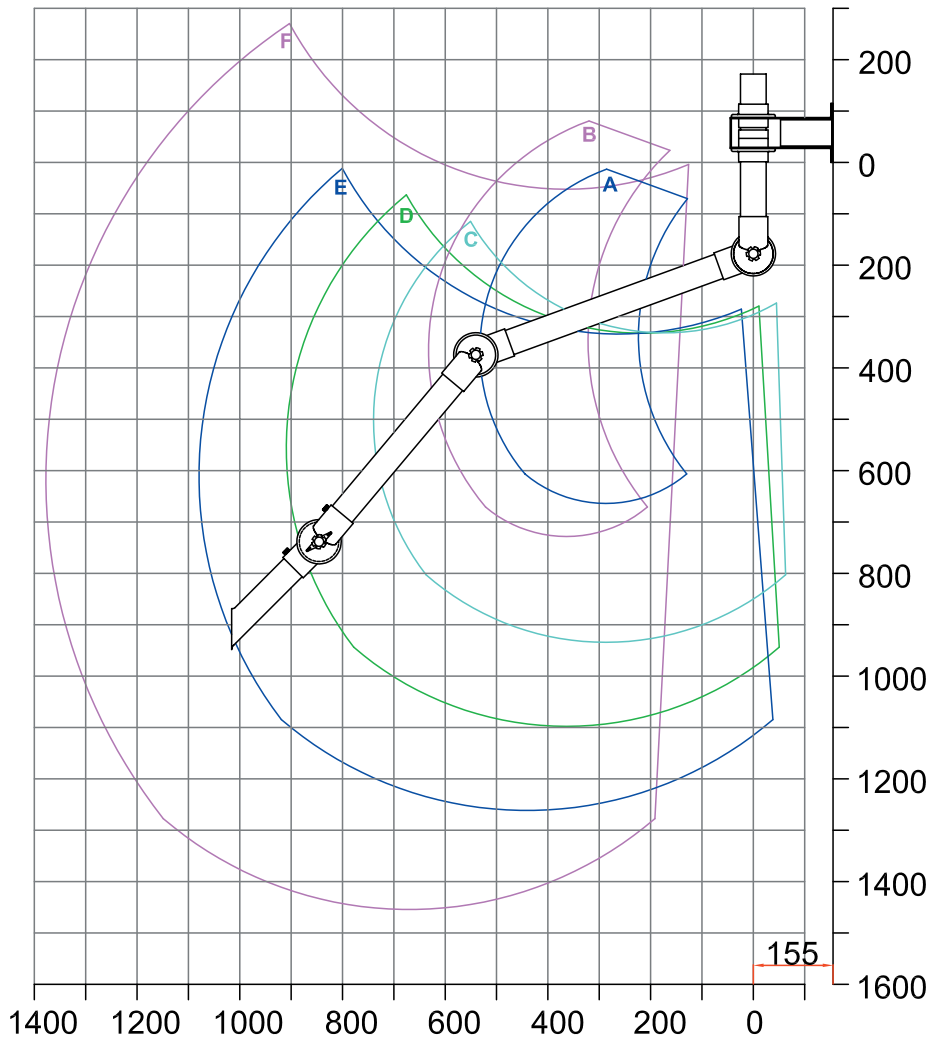
SYSTEM 25

SYSTEM 50 AS

SYSTEM 63

SYSTEM 75

SYSTEM 100



- A: Model 50-37-2-6
- B: Model 50-47-2-6
- C: Model 50-3727-2-6
- D: Model 50-4737-2-6
- E: Model 50-5747-2-6
- F: Model 50-8747-2-6

Accessory: Extractor Tube 1-5021-6

Note:

Working area of the arm is defined from the center of the opening of the accessory.

When choosing the arm we recommend that the stationary working position of the accessory is not placed in the highest or lowest part of the working area.

(All measurements in mm)



Wall Mounted Option

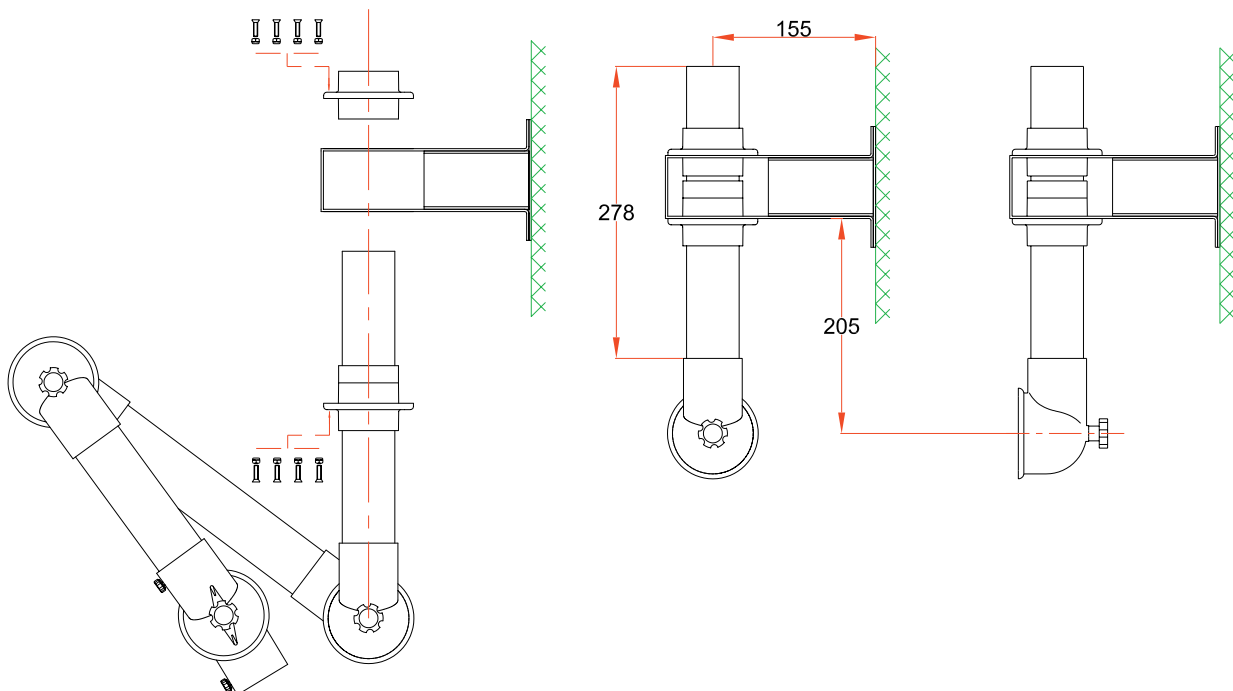
Wall Mounted

A System 50 Extraction Arm wall mounted with the wall bracket.

Accessories:

Wall Bracket, Part No.: 2-5020-050

Dimensions



(All measurements in mm)



Wall Bracket

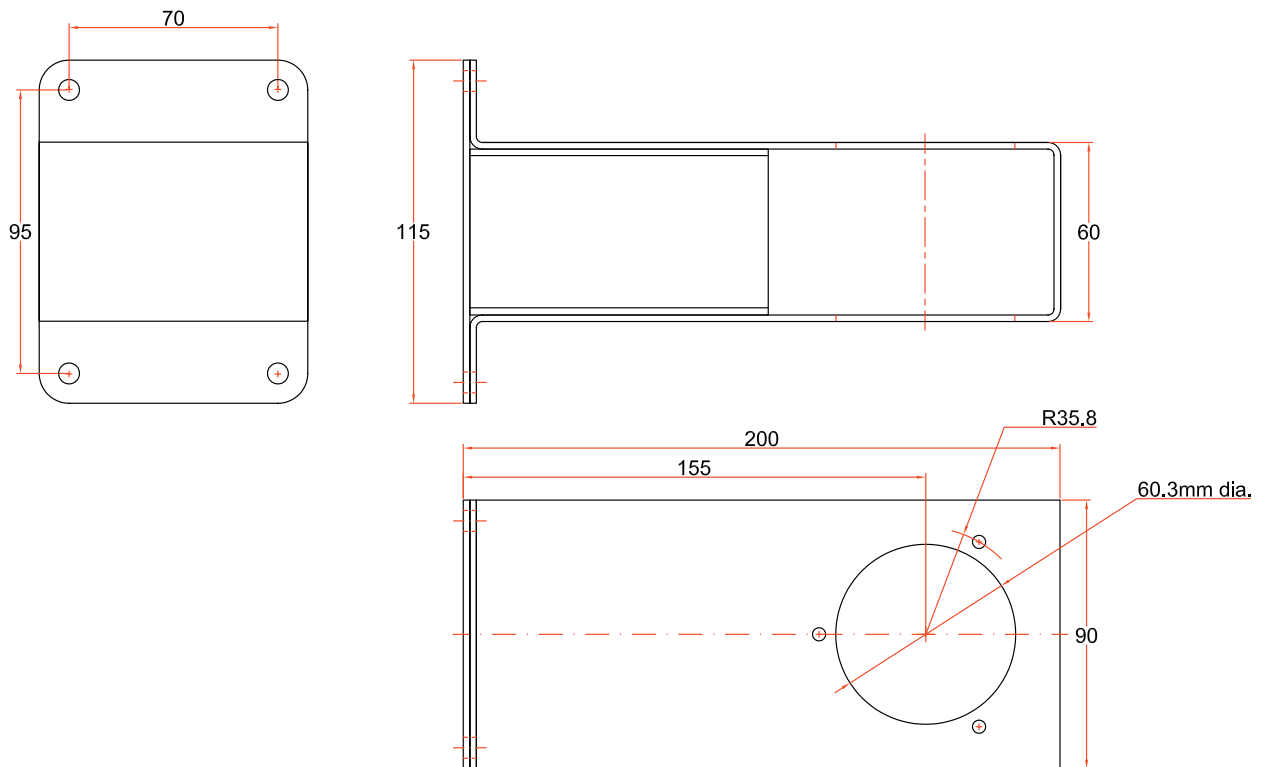
Technical Description

Part No.: 2-5020-050

Used for System 50 Wall or Table Mounted Extraction Arms. The wall bracket is made of black powder coated steel. Other colours available on request.



Dimensions



(All measurements in mm)

SYSTEM 25

SYSTEM 50 AS

SYSTEM 63

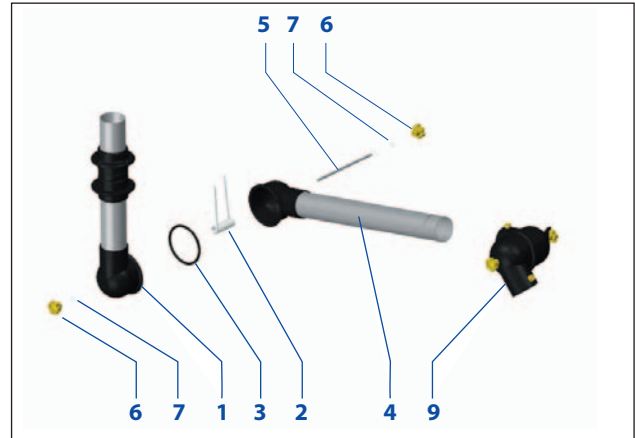
SYSTEM 75

SYSTEM 100



(A) 50-37-2-5

(B) 50-47-2

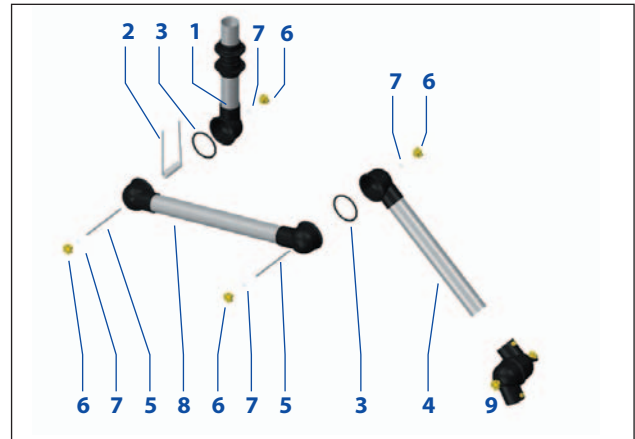


(C) 50-3727-2

(D) 50-4737-2

(E) 50-5747-2

(F) 50-8747



For spare parts list - see next page.

Spare Parts List



SYSTEM 25

SYSTEM 50 AS

SYSTEM 63

SYSTEM 75

SYSTEM 100

Pos.	Product No.	Joints
A	50-37-2-6	2-joint
B	50-47-2-6	2-joint
C	50-3727-2-6	3-joint
D	50-4737-2-6	3-joint
E	50-5747-2-6	3-joint
F	50-8747-2-6	3-joint

Pos.	Part No.	Description	A <small>(pieces applied)</small>	B	C	D	E	F
1	3-5031-2-6	C-pipe HM 315	1	1	1	1	1	1
2	5-50-2-3-03	Spring HM/HMS 3mm (2-jnts)	1	1				
2	5-50-3-3-03	Spring HM/HMS 3mm			1			
2	5-50-3-4,5-03	Spring HM/HMS 4.5mm				1	1	
2	5-50-3-5-03	Spring HM/HMS 5 mm						1
3	5-72-5-6	O-ring	1	1	2	2	2	2
4	3-5027-9-6	B-pipe 275			1			
4	3-5037-9-6	B-pipe 375	1			1		
4	3-5047-9-6	B-pipe 475		1			1	1
5	5-50-5-154	Threaded Stay 154	1	1	2	2	2	2
6	5-75-5-6	ThumbScrew	2	2	4	4	4	4
7	5-75	Washer	2	2	4	4	4	4
8	3-5037-8-6	A-pipe 375			1			
8	3-5047-8-6	A-pipe 475				1		
8	3-5057-8-6	A-pipe 575					1	
8	3-5087-8-6	A-pipe 875						1
9	4-50-5-6	Joint with damper*	1	1	1	1	1	1

*) Spare Parts List for Joint with Damper - see General Information.

When ordering spare parts please quote:

Product No. eg.: 50-4737-2-6
 Description - B-pipe 375
 Spare Part No. - 3-5037-9-6
 Quantity - 1 pc.

If you wish to customize the arm with a spare part which is not a constituent part of the particular model, please contact your Alsident dealer.



<p>WALL BRACKET:</p> <p>Wall bracket no. 2-5020</p> <p>Fig. 1</p>	<p>MOUNTING THE WALL BRACKET:</p> <p>Fig. 2</p> <p>Make sure the bracket is solidly mounted to the wall. When mounting the wall bracket be aware of the considerable strain the operation of the arm will transmit to the wall bracket.</p>	<p>UNFOLDING THE SOCKET PIPE:</p> <p>Fig. 3</p> <p>Out of consideration for the spring it is very important to unfold the arm by turning the socket pipe in the direction of the arrow.</p>	<p>MOUNTING WITH A WALL BRACKET:</p> <p>Fig. 4</p> <p>Place the socket pipe in the hole of the bracket and fasten the flange with the included screws. Place the upper flange on the socket pipe and fasten it to the bracket with the included screws.</p>	<p>MOUNTING WITH A WALL BRACKET:</p> <p>Fig. 5</p> <p>The two flanges are not fastened to the socket pipe. Therefore it can be turned 190° in the wall bracket.</p>
<p>CONNECTION TO VENTILATION DUCT:</p> <p>Spiro duct 80mm/75mm/63mm dia. Reducer 80mm/75mm/63mm dia. - 50mm dia. no. 4-8050, no. 4-7550 or no. 4-6350</p> <p>Fig. 6</p>	<p>UNFOLDING THE SUCTION ARM:</p> <p>Fig. 7</p> <p>Before mounting the accessory unfold the suction arm in the direction of the arrow to the desired position.</p>	<p>MOUNTING THE ACCESSORY:</p> <p>Fig. 8</p> <p>Place the connection tube of the accessory in the tube of the joint. Turn the slit on the connection tube towards the small thumbscrew. When screwed in the thumbscrew will hold the accessory in place in the joint. Finally make sure the damper is open. The suction arm is now ready for use.</p>	<p>MOUNTING THE ACCESSORY:</p> <p>Fig. 8</p>	<p>MOUNTING THE ACCESSORY:</p> <p>Fig. 8</p>



Working Area

Ceiling mounted with Extraction Tube

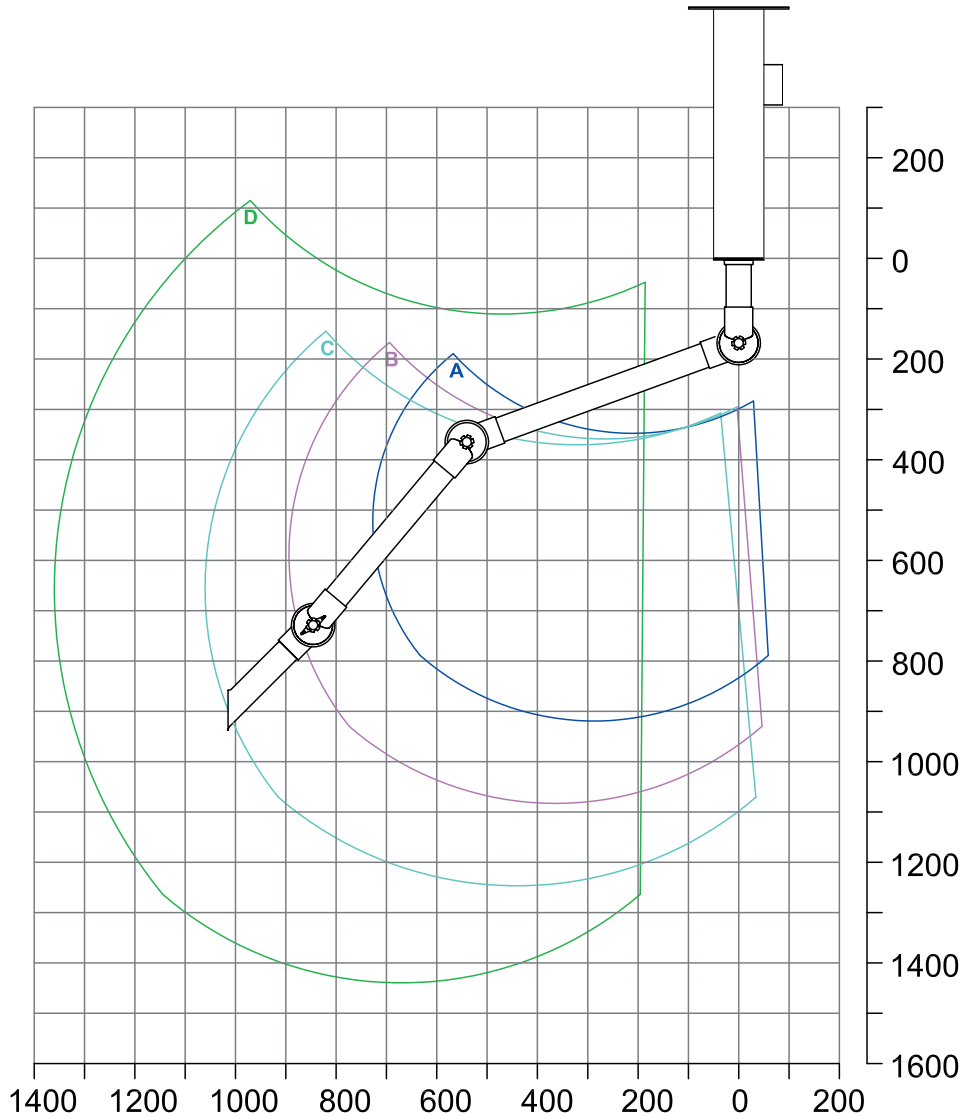
SYSTEM 25

SYSTEM 50 AS

SYSTEM 63

SYSTEM 75

SYSTEM 100



- A: Model 50-3727-3-6
- B: Model 50-4737-3-6
- C: Model 50-5747-3-6
- D: Model 50-8747-3-6

Accessory : Extractor Tube 1-5021

Note:

Working area of the arm is defined from the center of the opening of the accessory.

When choosing the arm we recommend that the stationary working position of the accessory is not placed in the highest or lowest part of the working area.

(All measurements in mm)



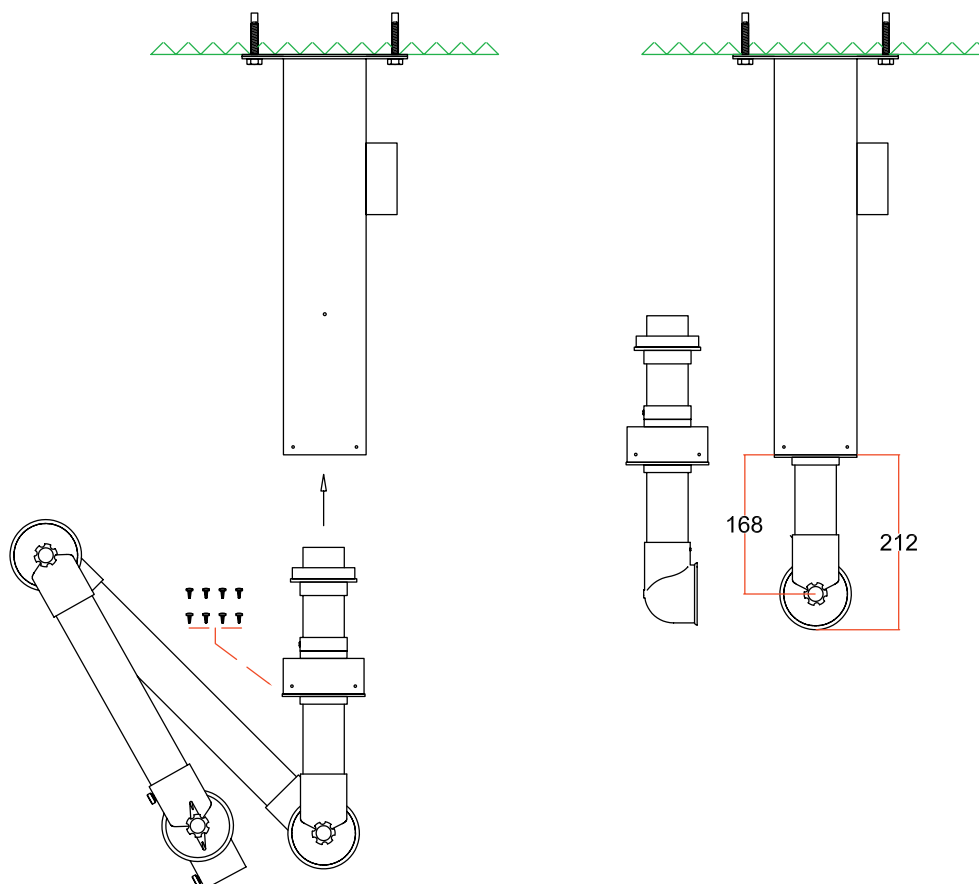
Ceiling Mounted Option

A System 50 Extraction Arm ceiling mounted with a ceiling column.
Connection for ducting at the side or top.

Accessories:

Ceiling Column, Part No. depending on lengths.

Dimensions



(All measurements in mm)



Ceiling Column

Technical Description

Ceiling Columns

Used for mounting the System 50 Ceiling Mounted Extraction Arms. The ceiling column is made of white or black powder coated steel. Available in two models with side connection or top connection to duct.

For standard lengths see below. Available in other lengths and colours on request.

Top connection, Part. No.:

Length [mm]	Ind. Weight [kg]	White	Black
250	2.0	2-250-20	2-250-050-20
500	3.0	2-500-20	2-500-050-20
750	3.8	2-750-20	2-750-050-20
1000	4.5	2-1000-20	2-1000-050-20

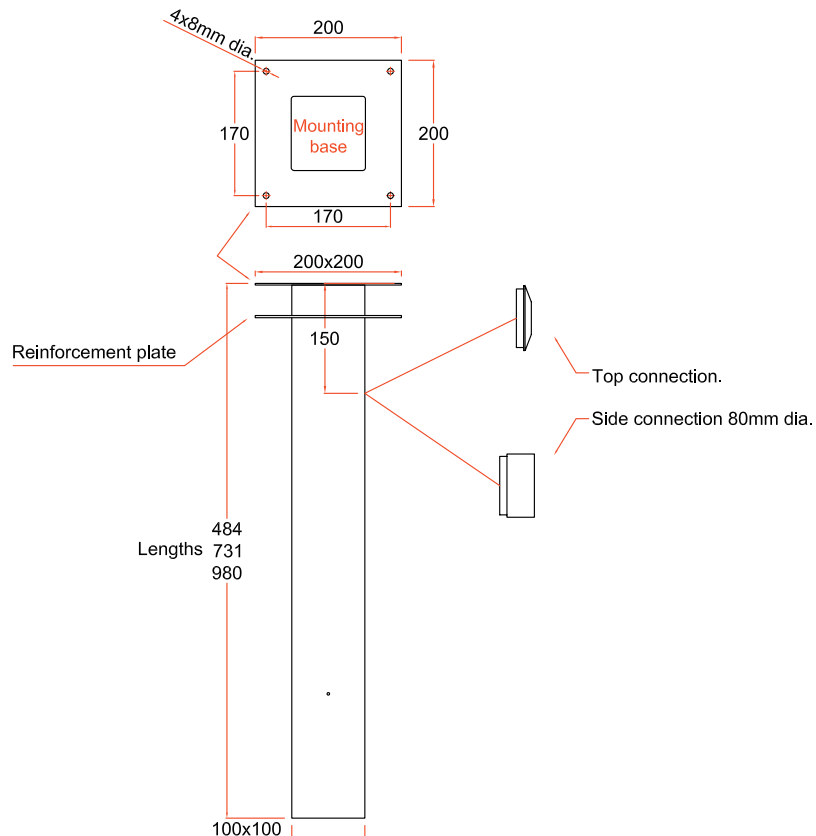


Side connection, Part. No.:

Length [mm]	Ind. Weight [kg]	White	Black
250*	2.0	2-250-80	2-250-050-80
500	3.0	2-500-80	2-500-050-80
750	3.8	2-750-80	2-750-050-80
1000	4.5	2-1000-80	2-1000-050-80

*) for socket pipe with hole. Please contact your Alsident dealer.

Dimensions



(All measurements in mm)



Extensions for Ceiling Column

Mounted on ceiling. Used to extend Ceiling Column in rooms with high ceilings. The Extension is made of white powder coated steel. Available in two standard lengths with side or top connection for duct.

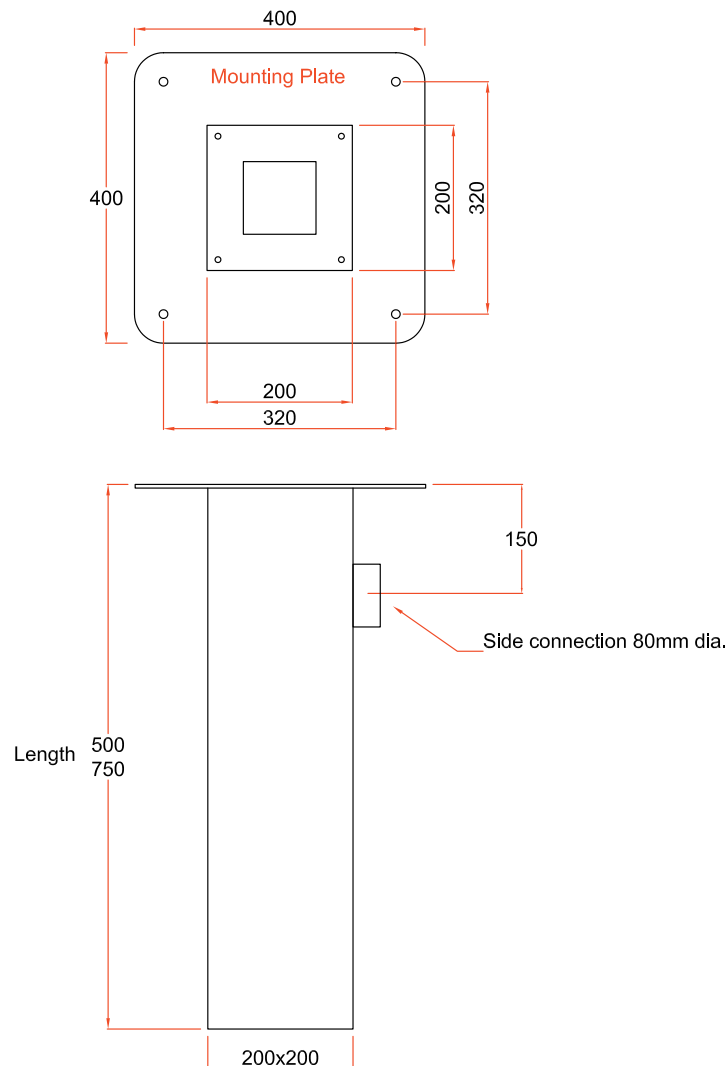
Other lengths and colours available on request.

Side Connection Diameter: 80 mm.

Length [mm]	Ind. Weight [kg]	Top connect.	Side connect.
500	9.5	2-500-21-20	2-500-21-80
750	14.0	2-750-21-20	2-750-21-80
1000	18.0	2-1000-21-20	2-1000-21-80



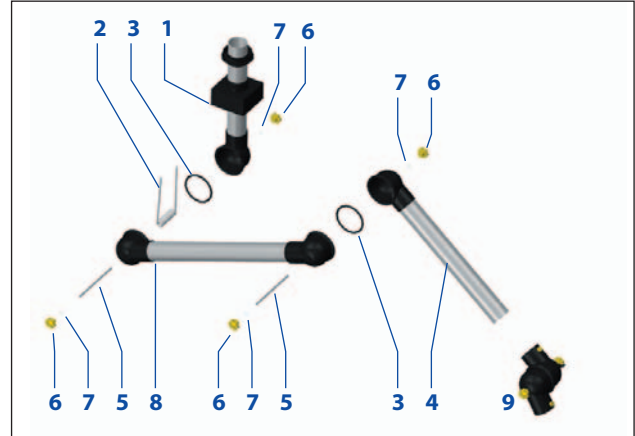
Dimensions



(All measurements in mm)



3-Joint



For spare parts list - see next page.



Spare Parts List

Pos.	Product No.	Joints
A	50-3727-3-6	2-joint
B	50-4737-3-6	2-joint
C	50-5747-3-6	3-joint
D	50-8747-3-6	3-joint

Pos.	Part No.	Description	A	B	C	D
			[pieces applied]			
1	3-5031-3-6	C-pipe HM 315	1	1	1	1
2	5-50-3-3-03	Spring HM/HMS 3mm	1			
2	5-50-3-4,5-03	Spring HM/HMS 4.5mm		1	1	
2	5-50-3-5-03	Spring HM/HMS 5 mm				1
3	5-72-5-6	O-ring	2	2	2	2
4	3-5027-9-6	B-pipe 275	1			
4	3-5037-9-6	B-pipe 375		1		
4	3-5047-9-6	B-pipe 475			1	1
5	5-50-5-154	Threaded Stay 154	2	2	2	2
6	5-75-5-6	Thumbscrew	4	4	4	4
7	5-75	Washer	4	4	4	4
8	3-5037-8-6	A-pipe 375	1			
8	3-5047-8-6	A-pipe 475		1		
8	3-5057-8-6	A-pipe 575			1	
8	3-5087-8-6	A-pipe 875				1
9	4-50-6	Joint with damper*	1	1	1	1

*) Spare Parts List for Joint with Damper - see General Information.

When ordering spare parts please quote:

Product No. eg.: 50-3727-3-6
 Description - B-pipe 275
 Spare Part No. - 3-5027-9-6
 Quantity - 1 pc.

If you wish to customize the arm with a spare part which is not a constituent part of the particular model, please contact your Alsident dealer.



<p>CEILING COLUMNS:</p> <p>Ceiling columns available in three lengths: 500mm, 750mm and 1000mm. For side or top connection.</p> <p>Fig. 1</p>	<p>UNFOLDING THE SOCKET PIPE:</p> <p>When unfolding the suction arm the socket pipe is turned in the direction of the arrow.</p> <p>Fig. 3</p>	<p>MOUNTING IN A CEILING COLUMN:</p> <p>Place the socket pipe in the ceiling column. Turn the arm until the guide on the socket pipe falls into place in the ceiling column and fasten with the included screws.</p> <p>Fig. 4</p>	<p>MOUNTING IN A CEILING COLUMN:</p> <p>It is now possible to turn the socket pipe 360° in the ceiling column.</p> <p>Fig. 5</p>
<p>MOUNTING THE CEILING COLUMN:</p> <p>Mount the ceiling column solidly to the ceiling. When mounting the ceiling column be aware of the considerable strain the operation of the arm will transmit to the ceiling column.</p> <p>Fig. 2</p>	<p>UNFOLDING THE SUCTION ARM:</p> <p>Before mounting the accessory unfold the suction arm in direction of the arrow to the desired position.</p> <p>Fig. 7</p>	<p>MOUNTING THE ACCESSORY:</p> <p>Place the connection pipe of the accessory in the tube of the joint. Turn the small slit in the connection pipe towards the thumbscrew. Finally make sure the damper is open. The suction arm is now ready for use.</p> <p>Fig. 8</p>	<p>CONNECTING TO VENTILATION DUCT (Ceiling column with side connection):</p> <p>Spiro duct 80mm dia. Nipple 80mm dia.</p> <p>Fig. 6</p>